

# 1-107 Quarter-Turn Pr20.1 L18

Tool operable, Integrated finger pull, Optional pre-assembly

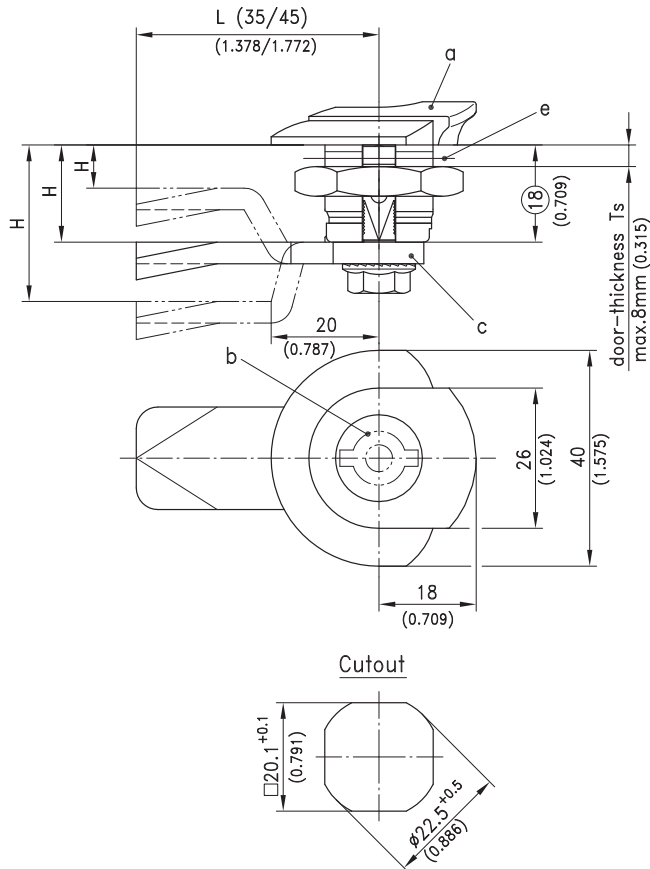


## Product Notes:

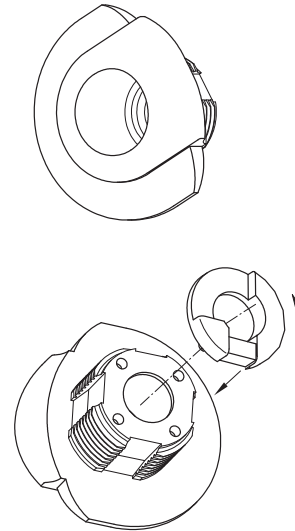
- RH and LH application - achieved by rotating the cam stop
- Components can be pre-assembled by DIRAK upon request
- Pre-assembled Quarter-Turn can be installed in cutout.
- Integrated finger pull

## Material:

- **Housing:** PA6, Black
- **Bottom:** Zinc Die, Zinc Plated
- **Insert:** Zinc Die, Chrome Plated or Black or combination of PA, Black/ Zinc Die
- **Cams:** Steel, Zinc Plated



In principal the cam can be assembled in any position. The bottom part should be rotated accordingly.



	Nut Only	Nut and Grounding Clip	See Page
a) Housing with bottom part and	100-9007	100-9008	
b) Insert (no wing or star knob)			01.42, 01.98, 01.99
c) Cams			01.101, 01.42, 01.104, 01.102, 01.48
<b>Optional:</b>			
Water and dust tight according to IP65 by:			
d) O-ring 12x2mm	200-1001	200-1001	
e) Flat external seal	200-0901	200-0901	
Water and dust tight according to IP67 by additional:			
e1) O-ring 10x2mm	200-1002	200-1002	
f) Assembling	RH version (as drawn)	LH version	
without O-ring	200-0066	200-0068	
with O-ring	200-0067	200-0069	